

# SILVERTON1800 ETU



Ready to be Assembled



Cable Management System



IR Friendly



Anti-Tip Strapping



Max Weight  
Top 40Kgs/Other 15Kgs

ITEM CODE:

## SILVERTON1800OAK

1800W x 400D x 500H mm

3 x Open Modern Component Spaces

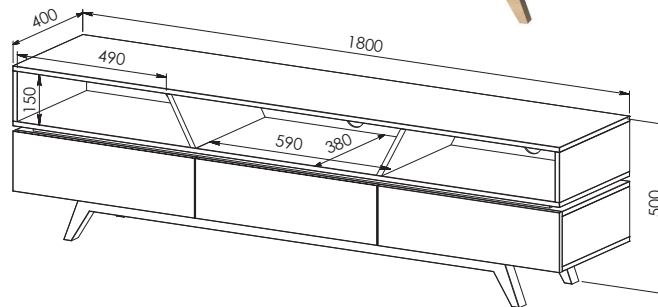
Natural Light Oak Colour

3 x Stylish White Drawers

Cable Management

Anti-Tip Safety Strapping Included

1 Year Warranty



1800GRY



1800OAK