

SILVERTON1800 ETU



Ready to be Assembled



Cable Management System



IR Friendly



Anti-Tip Strapping



Max Weight
Top 40Kgs/Other 15Kgs

ITEM CODE:

SILVERTON1800GREY

1800W x 400D x 500H mm

3 x Open Modern Component Spaces

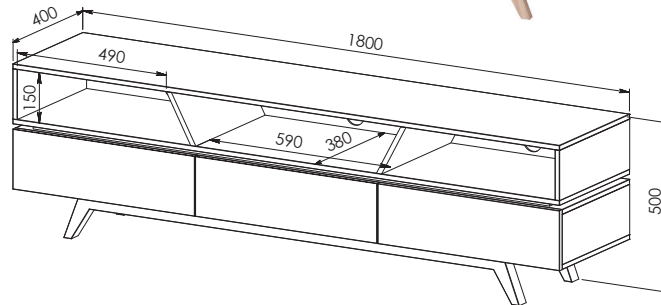
Natural Light Oak Colour

3 x Stylish Dark Grey Drawers

Cable Management

Anti-Tip Safety Strapping Included

1 Year Warranty



1800GRY



1800OAK

