

# CHRYSLER 1500 ETU



Ready to be Assembled



Cable Management System



Max Weight Top 40Kgs/Shelf 25Kgs



Anti-Tip Strapping

ITEM CODE:

## CHRYSLER1500

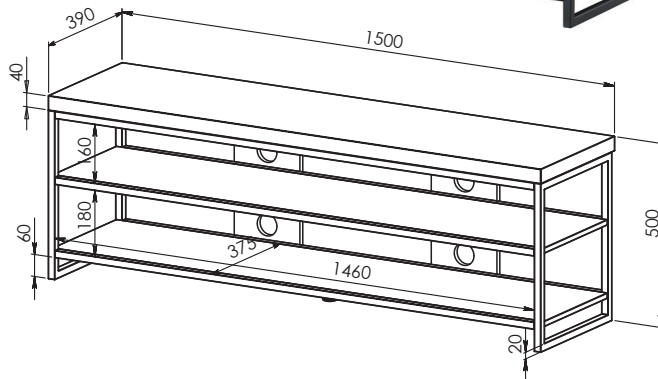
1500W x 390D x 500H mm

Open Style Coffee Table

Unique Cement Look Finish Top

Cable Management

1 Year Warranty



BC1000



1200DSK



1500DSK



CRED



CT1000



CT1200



ET450



HT1000



1200



1500



1800



LL