

CHRYSLER BOOKCASE



Ready to be Assembled



Max Weight Shelf 20Kgs



Anti-Tip Strapping

ITEM CODE:

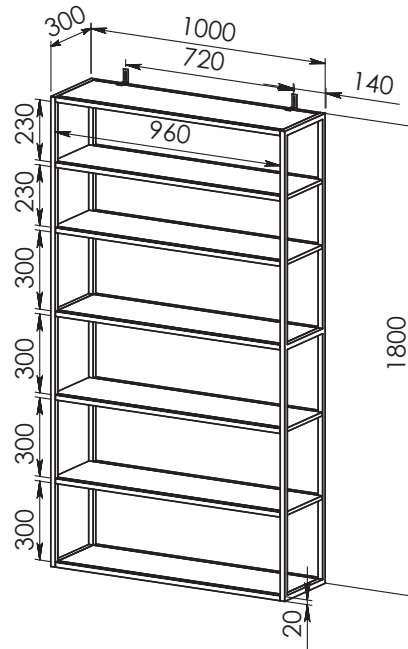
CHRYSLER BC1000

1000W x 300D x 1800H mm

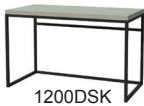
Open Style Design

Unique Cement Look Finish Shelves

1 Year Warranty



BC1000



1200DSK



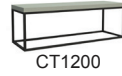
1500DSK



CRED



CT1000



CT1200



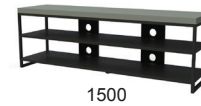
ET450



HT1000



1200



1500



1800



LL