

# BRUNSWICK 1800 ETU



Ready to be Assembled



Max Weight  
Top 50Kgs / Shelf 25Kgs



Cable Management System



Anti-Tip Strapping

ITEM CODE:

## BRUNSWICK1800BLK

1800W x 390D x 500H mm

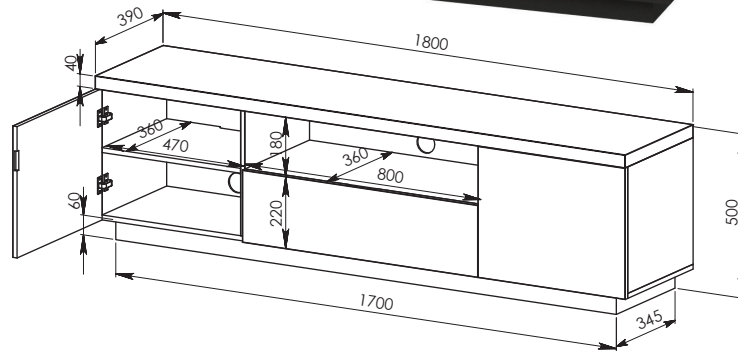
1 x Large Centre Speaker Shelf

1 x Large Drawer

2 x Large Component Cupboards

Satin Black finish

1 Year Warranty



ET450



CT1200



1200



1500



1800



LL2000

[www.rvm.com.au](http://www.rvm.com.au)

DISTRIBUTED BY RVM AUSTRALIA t: (08) 9417 9944 e:sales@rvm.com.au