

BRUNSWICK 1500 ETU



Ready to be Assembled



Max Weight
Top 50Kgs / Shelf 25Kgs



Cable Management System



Anti-Tip Strapping

ITEM CODE:

BRUNSWICK1500BLK

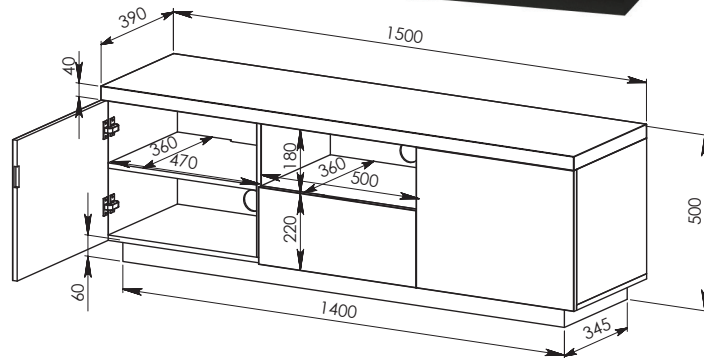
1500W x 390D x 500H mm

1 x Centre Speaker Shelf

1 x Drawer

Satin Black finish

1 Year Warranty



ET450



CT1200



1200



1500



1800



LL2000

www.rvm.com.au

DISTRIBUTED BY RVM AUSTRALIA t: (08) 9417 9944 e:sales@rvm.com.au