



Ready to be Assembled



Max Weight  
Top 50Kgs / Shelf 25Kgs



Cable Management System

ITEM CODE:

## BRUNSWICK LLWHT

2000W x 390D x 360H mm

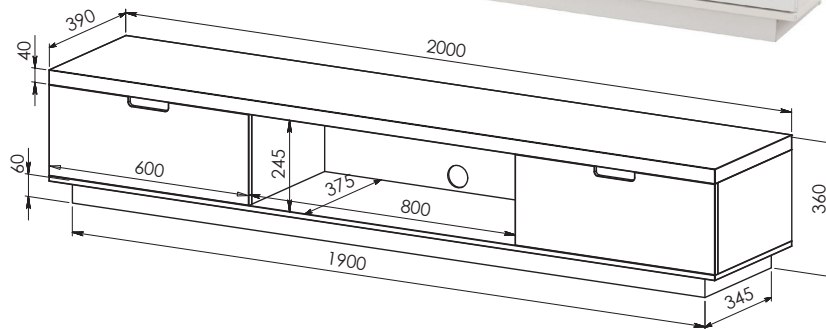
1 x Large Component Shelf

2 x Large Drawers

White Gloss finish

Cable Management System

1 Year Warranty



ET450



CT1200



1200



1500



1800



LL2000